



KEY FEATURES

- Special 90° spiral lens optic for homogeneous light distribution
- IP65 waterproof, suitable for dusty and humid environments
- Integrated LED with a long lifespan of L80B10 100,000 hours / L90B50 >50,000 hours
- Plug & Play installation 3-pole IP68 screwless connector
- PC cover or Aluminum reflector (90D) UGR<22
- Integrated premium LED Driver. Adjustable lumen output via dipperswitches. Maximum flexibility 4 in 1: 17.000lm (100W), 20.000lm (120W), 22.500lm (150W) and 30.000 (200W)
- New Plug & Play Sensor (Step-dim) PIR
- Standard 0-10V Dimmable
- Up to 150 lumens per watt
- Available adjustable bracket and 120D lens
- 5 years Pragmalux warranty

IP65 IK08 650° GWT 150LM/W

5 PRAGMALUX
YEAR
WARRANTY

DETAILS



OPTIONS



ACCESSORIES



SPECIFICATIONS (ACCORDING TO EN IEC 62722-2-1)

ITEM CODE	DESCRIPTION	W	LM	LM/W	KELVIN	CRI	INPUT CURRENT	LIFETIME L80	BEAM ANGLE
1000398	LED Highbay Storm G2 100-200W 4000K 17000-30000lm 90° 0-10V Dim Black	100-200	17000-30000	150	4000	≥80	0.09	100000	90°

TECHNICAL DATA

ELECTRICAL DATA	
Voltage (V)	220-240
Frequency (Hz)	50/60
Power factor (λ)	≥0.95
Operating mode	Integrated LED Driver
Electrical connection	Max 3x1,0 mm² wire
Total harmonic distortion	≤ 15 %

TEMPERATURES & OPERATING CONDITIONS

Ambient temperature	25°C
Operating temperature	-30 ~ +50°C
Storage temperature	-30 ~ +80°C

COLORS & MATERIALS

Color (Housing)	Black RAL9017
Material (Housing)	Aluminum
Material (Reflector)	PC

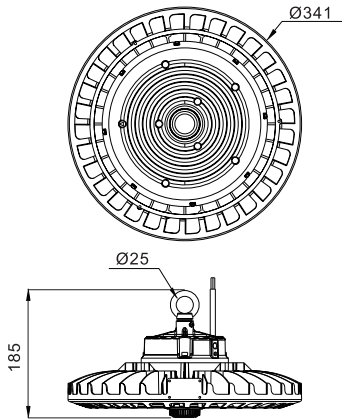
ITEM CODE	DESCRIPTION	DRIVER FAILURE RATE AT 5,000H	INRUSH CURRENT IPEAK (A)	INRUSH CURRENT TWIDTH (µS)	MAX. NO. OF DRIVERS ON MCB TYPE B 10A	MAX. NO. OF DRIVERS ON MCB TYPE B 16A	MAX. NO. OF DRIVERS ON MCB TYPE C 10A	MAX. NO. OF DRIVERS ON MCB TYPE C 16A
1000398	LED Highbay Storm G2 100-200W 4000K 17000-30000lm 90° 0-10V	≤1%	90	700	3	6	6	10

PRAGMALUX

All rights reserved. Pragmalux - PDL Lighting Group B.V. retains the right to modify product specifications without any prior notice or obligation and does not assume any liability for any consequences of using this document. Subject to errors and printing errors. Luminous flux tolerance: +/- 10%. Power consumption tolerance: +/- 10%.

Version: September 2021

DIMENSIONS



PHOTOMETRIC SPECIFICATIONS

LED HIGHBAY STORM G2 200W 4000K 90° 0-10V DIM BLACK

